



Economical linear high bay delivers versatility and ultra-high efficiency. Available in 8 wattages and three sizes, for mounting heights ranging from 15 to 60 feet. Patent pending, retractable design reduces volume by up to 60% to save valuable shelf and storage space.

Color: White

Weight: 18.7 lbs

Project:	Type:
Prepared By:	Date:

Driver Info		LED Info	
Type	Constant Current	Watts	275.00W
120V	2.25A	Color Temp	5000K (Cool)
208V	N/A	Color Accuracy	85 CRI
240V	N/A	L70 Lifespan	100,000
277V	N/A	Lumens	36,747
Input Watts	267.50W	Efficacy	137.4 LPW
Efficiency	N/A		

Technical Specifications

Listings

UL Listed:

Suitable for damp locations

IESNA LM-79 & LM-80 Testing:

RAB LED luminaires and LED components have been tested by an independent laboratory in accordance with IESNA LM-79 and LM-80.

DLC Listed:

This product is listed by Design Lights Consortium (DLC) as an ultra-efficient premium product that qualifies for the highest tier of rebates from DLC Member Utilities. DLC Product Code: P6Q8WDOE

LED Characteristics

Lifespan:

100,000-hour LED lifespan based on IES LM-80 results and TM-21 calculations

LEDs:

Multi-chip, high-output, long-life LEDs

Color Uniformity:

RAB's range of CCT (Correlated Color Temperature) follows the guidelines of the American National Standard for Specifications for the Chromaticity of Solid State Lighting (SSL) Products, ANSI C78.377-2017.

Construction

Operating Temperature:

-20°C (-4°F) - 50°C (122°F)

Housing:

22 gauge die formed with white powder coat finish. Y Hooks included for easy chain or cable mounting.

Reflector:

White painted, reflective, die formed painted steel

Lens:

Polycarbonate lens

Mounting:

V hooks and optional pendant mounting. AEROBAY® comes with two 42" chains.

Cord & Plug:

8 ft. cord and NEMA L5-15P twistlock plug for 120V only.

Finish:

Our environmentally friendly polyester powder coatings are formulated for high-durability and long-lasting color

Green Technology:

Mercury and UV free. RoHS-compliant components.

Electrical

Driver:

Class 2, Constant Current, 120-277V, 50/60 Hz, 120V: 2.25A, 208V: 1.30A, 240V: 1.12A, 277V: 1.0A

THD:

6.6% at 120V, 8.9% at 277V

Power Factor:

99.9% at 120V, 95.6% at 277V

Surge Protection:

2.5kV

For areas prone to surges, upgrade to 10kV surge protection available

Other

5 Yr Limited Warranty:

The RAB 5-year, limited warranty covers light output, driver performance and paint finish. RAB's warranty is subject to all terms and conditions found at rablighting.com/warranty.

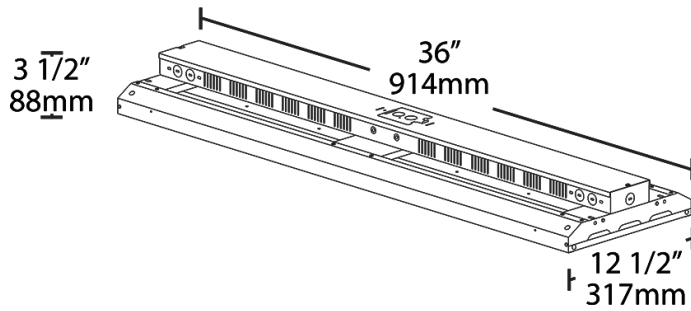
Technical Specifications (continued)

Other

Buy American Act Compliance:

RAB values USA manufacturing! Upon request, RAB may be able to manufacture this product to be compliant with the Buy American Act (BAA). Please contact customer service to request a quote for the product to be made BAA compliant.

Dimensions



Features

- High efficiency. Low price.
- Ideal for industrial warehouse spaces
- 100,000 hour LED lifespan
- 5-Year, Limited Warranty

Ordering Matrix

Family	Length	Wattage	Color Temp	Voltage	Control Options	Emergency Options	Other Options
ARBAY	3 3 = 3 ft.	- 215 = 215W 275 = 275W	Blank = 5000K (Cool) N = 4000K (Neutral)	Blank = 120-277V, 0-10V Dimming /480 = 480V, 0-10V Dimming	Blank = No Options /PIR = 120-277V, Passive Infrared Occupancy Sensor /LC = 120-277V, Lightcloud Control /LCS = 120-277V, Lightcloud Motion Sensor	Blank = No Options /E2 = 120-277V, Emergency Battery ¹	/8CPT Blank = No Options /SP10 = 10kV Surge Protection /8C = 8' Cord only ² /8CP = 8' Cord, Straight Blade Plug 120V, NEMA 5-15P ³ /8CP2 = 8' Cord, Straight Blade Plug 277V, NEMA 7-15P ³ /8CPT = 8' Cord, Twistlock Plug 120V, NEMA L5-15P ³ /8CPT2 = 8' Cord, Twistlock Plug 277V, NEMA L7-15P ³ /8CPT4 = 8' Cord, Twistlock Plug 480V, NEMA L8-20P ³

¹ For battery backup models with cord and plug dimming is not possible

² For cord only (8C) models, a 5 conductor cable will be used to make dimming possible

³ For cord and plug (8CP, 8CP2, 8CPT, 8CPT2, 8CPT4) models 0-10V dimming is not possible