



<b>Project:</b>	<b>Type:</b>
<b>Prepared By:</b>	<b>Date:</b>

Driver Info		LED Info	
Type	Constant Current	Watts	275.00W
120V	N/A	Color Temp	5000K (Cool)
208V	N/A	Color Accuracy	85 CRI
240V	N/A	L70 Lifespan	100,000
277V	N/A	Lumens	36,689
Input Watts	262.30W	Efficacy	139.9 LPW
Efficiency	N/A		

## Technical Specifications

### Listings

**UL Listed:**

Suitable for damp locations

**IESNA LM-79 & LM-80 Testing:**

RAB LED luminaires and LED components have been tested by an independent laboratory in accordance with IESNA LM-79 and LM-80.

**DLC Listed:**

This product is listed by Design Lights Consortium (DLC) as an ultra-efficient premium product that qualifies for the highest tier of rebates from DLC Member Utilities. DLC Product Code: PKENYBON

### LED Characteristics

**Lifespan:**

100,000-hour LED lifespan based on IES LM-80 results and TM-21 calculations

**LEDs:**

Multi-chip, high-output, long-life LEDs

**Color Uniformity:**

RAB's range of CCT (Correlated Color Temperature) follows the guidelines of the American National Standard for Specifications for the Chromaticity of Solid State Lighting (SSL) Products, ANSI C78.377-2017.

### Construction

**Operating Temperature:**

-20°C (-4°F) - 50°C (122°F)

**Housing:**

22 gauge die formed with white powder coat finish. Y Hooks included for easy chain or cable mounting.

**Reflector:**

White painted, reflective, die formed painted steel

**Lens:**

Polycarbonate lens

**Mounting:**

V hooks and optional pendant mounting. AEROBAY® comes with two 42" chains.

**Cord & Plug:**

8 ft. cord and no plug for 120-277V and 480V

**Finish:**

Our environmentally friendly polyester powder coatings are formulated for high-durability and long-lasting color

**Green Technology:**

Mercury and UV free. RoHS-compliant components.

### Electrical

**Driver:**

Class 2, Constant Current, 50/60 Hz, 480V: 0.56A

**THD:**

8.2% at 480V

**Power Factor:**

98.4% at 480V

**Surge Protection:**

6kV

### Other

**5 Yr Limited Warranty:**

The RAB 5-year, limited warranty covers light output, driver performance and paint finish. RAB's warranty is subject to all terms and conditions found at [rablighting.com/warranty](http://rablighting.com/warranty).

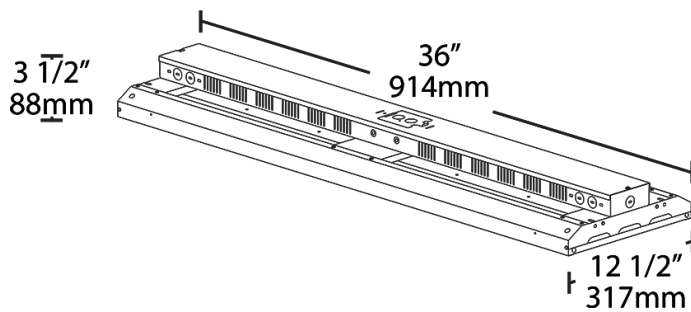
## Technical Specifications (continued)

### Other

#### Buy American Act Compliance:

RAB values USA manufacturing! Upon request, RAB may be able to manufacture this product to be compliant with the Buy American Act (BAA). Please contact customer service to request a quote for the product to be made BAA compliant.

### Dimensions



### Features

- High efficiency. Low price.
- Ideal for industrial warehouse spaces
- 100,000 hour LED lifespan
- 5-Year, Limited Warranty

## Ordering Matrix

Family	Length	Wattage	Color Temp	Voltage	Control Options	Emergency Options	Other Options
ARBAY	3	275		/480			/8C
	3 = 3 ft.	215 = 215W 275 = 275W	Blank = 5000K (Cool) N = 4000K (Neutral)	Blank = 120-277V, 0-10V Dimming /480 = 480V, 0-10V Dimming	Blank = No Options /PIR = 120-277V, Passive Infrared Occupancy Sensor /LC = 120-277V, Lightcloud Control /LCS = 120-277V, Lightcloud Motion Sensor	Blank = No Options /E2 = 120-277V, Emergency Battery <sup>1</sup>	Blank = No Options /SP10 = 10kV Surge Protection /8C = 8' Cord only <sup>2</sup> /8CP = 8' Cord, Straight Blade Plug 120V, NEMA 5-15P <sup>3</sup> /8CP2 = 8' Cord, Straight Blade Plug 277V, NEMA 7-15P <sup>3</sup> /8CPT = 8' Cord, Twistlock Plug 120V, NEMA L5-15P <sup>3</sup> /8CPT2 = 8' Cord, Twistlock Plug 277V, NEMA L7-15P <sup>3</sup> /8CPT4 = 8' Cord, Twistlock Plug 480V, NEMA L8-20P <sup>3</sup>

<sup>1</sup> For battery backup models with cord and plug dimming is not possible

<sup>2</sup> For cord only (8C) models, a 5 conductor cable will be used to make dimming possible

<sup>3</sup> For cord and plug (8CP, 8CP2, 8CPT, 8CPT2, 8CPT4) models 0-10V dimming is not possible