



Economical linear high bay delivers versatility and ultra-high efficiency. Available in 8 wattages and three sizes, for mounting heights ranging from 15 to 60 feet. Patent pending, retractable design reduces volume by up to 60% to save valuable shelf and storage space.

Color: White

Weight: 18.7 lbs

<b>Project:</b>	<b>Type:</b>
<b>Prepared By:</b>	<b>Date:</b>

Driver Info		LED Info	
Type	Constant Current	Watts	215.00W
120V	1.79A	Color Temp	5000K (Cool)
208V	1.04A	Color Accuracy	85 CRI
240V	0.90A	L70 Lifespan	100,000
277V	0.79A	Lumens	29,100
Input Watts	214.40W	Efficacy	135.7 LPW
Efficiency	N/A		

## Technical Specifications

### Listings

#### UL Listed:

Suitable for damp locations

#### IESNA LM-79 & LM-80 Testing:

RAB LED luminaires and LED components have been tested by an independent laboratory in accordance with IESNA LM-79 and LM-80.

#### DLC Listed:

This product is listed by Design Lights Consortium (DLC) as an ultra-efficient premium product that qualifies for the highest tier of rebates from DLC Member Utilities. DLC Product Code: PNRU65Z4

### LED Characteristics

#### Lifespan:

100,000-hour LED lifespan based on IES LM-80 results and TM-21 calculations

#### LEDs:

Multi-chip, high-output, long-life LEDs

#### Color Uniformity:

RAB's range of CCT (Correlated Color Temperature) follows the guidelines of the American National Standard for Specifications for the Chromaticity of Solid State Lighting (SSL) Products, ANSI C78.377-2017.

### Construction

#### Operating Temperature:

-20°C (-4°F) - 50°C (122°F)

### Housing:

22 gauge die formed with white powder coat finish. Y Hooks included for easy chain or cable mounting.

### Reflector:

White painted, reflective, die formed painted steel

### Lens:

Polycarbonate lens

### Mounting:

V hooks and optional pendant mounting. AEROBAY® comes with two 42" chains.

### Cord & Plug:

8 ft. cord and no plug for 120-277V and 480V

### Finish:

Our environmentally friendly polyester powder coatings are formulated for high-durability and long-lasting color

### Green Technology:

Mercury and UV free. RoHS-compliant components.

### Electrical

#### Driver:

Class 2, Constant Current, 120-277V, 50/60 Hz, 120V: 1.79A, 208V: 1.04A, 240V: 0.90A, 277V: 0.79A

#### THD:

4.9% at 120V, 7.0% at 277V

#### Power Factor:

99.9% at 120V, 95.5% at 277V

#### Surge Protection:

2.5kV

For areas prone to surges, upgrade to 10kV surge protection available

### Other

#### 5 Yr Limited Warranty:

The RAB 5-year, limited warranty covers light output, driver performance and paint finish. RAB's warranty is subject to all terms and conditions found at [rablighting.com/warranty](http://rablighting.com/warranty).

## Technical Specifications (continued)

### Other

#### Buy American Act Compliance:

RAB values USA manufacturing! Upon request, RAB may be able to manufacture this product to be compliant with the Buy American Act (BAA). Please contact customer service to request a quote for the product to be made BAA compliant.

### Sensor Specifications

#### Passive Infrared Occupancy and Daylight Sensor:

PIR sensor with IR remote capability. High/Low bay passive infrared occupancy and daylight sensor.

#### UL Listed:

Indoor use only

#### Operating Temperature:

32°F to 158°F (0°C to 70°C)

#### Operating Humidity:

5% to 96%, noncondensing

#### Line Voltage:

Line Voltage for direct connection to load

#### Voltage:

120, 277, 347V, 60Hz or 230V, single phase, 50Hz operation

#### Power Consumption:

0.2W

#### Maximum Versatility:

Adjustable time delay and sensitivity  
Adjustable hold-off daylighting level

#### Weight:

6.4 oz (181 g)

#### Hardware:

UL listed snap-in mounting hardware

#### Mounting:

Easy mounting using knockout at end of linear high bay luminaire

#### Lens:

Lens (attached) designed for mounting heights from 15 to 40 feet

#### Rotatable Mask:

Snap-on rotatable mask for aisleway applications (included)

#### Coverage:

Covers a 100-foot diameter area when mounted at height of 40 feet

#### Factory Default:

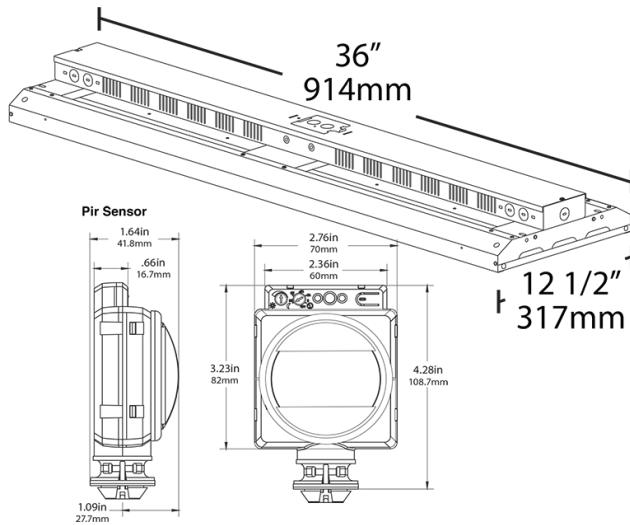
15 minutes time delay  
Max sensitivity  
300 footcandle light level

#### Handheld Wireless Configuration Tool:

Adjust settings using handheld wireless configuration tool. Only available with 0-10V dimming driver options. [Handheld wireless configuration tool available here.](#)

## Dimensions

3 1/2"  
88mm



## Features

- High efficiency. Low price.
- Ideal for industrial warehouse spaces
- 100,000 hour LED lifespan
- 5-Year, Limited Warranty

## Coverage Pattern

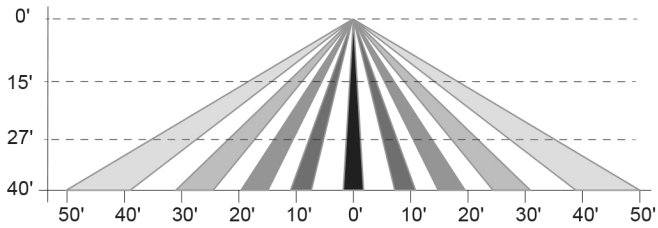
Coverage Pattern



Top coverage pattern



Top coverage pattern with mask



Side coverage pattern



Side coverage pattern with mask

## Ordering Matrix

Family	Length		Wattage	Color Temp	Voltage	Control Options	Emergency Options	Other Options
ARBAY	3	-	215			/PIR		/8C
	3 = 3 ft.		215 = 215W 275 = 275W	Blank = 5000K (Cool) N = 4000K (Neutral)	Blank = 120-277V, 0-10V Dimming /480 = 480V, 0-10V Dimming	Blank = No Options /PIR = 120-277V, Passive Infrared Occupancy Sensor /LC = 120-277V, Lightcloud Control /LCS = 120-277V, Lightcloud Motion Sensor	Blank = No Options /E2 = 120-277V, Emergency Battery <sup>1</sup>	Blank = No Options /SP10 = 10kV Surge Protection /8C = 8' Cord only <sup>2</sup> /8CP = 8' Cord, Straight Blade Plug 120V, NEMA 5-15P <sup>3</sup> /8CP2 = 8' Cord, Straight Blade Plug 277V, NEMA 7-15P <sup>3</sup> /8CPT = 8' Cord, Twistlock Plug 120V, NEMA L5-15P <sup>3</sup> /8CPT2 = 8' Cord, Twistlock Plug 277V, NEMA L7-15P <sup>3</sup> /8CPT4 = 8' Cord, Twistlock Plug 480V, NEMA L8-20P <sup>3</sup>

<sup>1</sup> For battery backup models with cord and plug dimming is not possible

<sup>2</sup> For cord only (8C) models, a 5 conductor cable will be used to make dimming possible

<sup>3</sup> For cord and plug (8CP, 8CP2, 8CPT, 8CPT2, 8CPT4) models 0-10V dimming is not possible