

Performance Area Light with wall mount. Mounting arm is 10" long. Tether included for support during installation. Factory wired for 277V. Lamp supplied.

Color: Bronze

Weight: 40.7 lbs

Project:

Type:

Prepared By:

Date:

### Lamp Info

Type: ED28  
 Watts: 320W  
 Shape/Size: N/A  
 Base: N/A  
 ANSI: N/A  
 Hours: 20,000  
 Lamp Lumens: 30,000  
 Efficacy: 82 LPW

### Ballast Info

Type: CWA HPF QT  
 120V: N/A  
 208V: N/A  
 240V: N/A  
 277V: .6/.9A  
 Input Watts: 368W  
 Efficiency: 87%

## Technical Specifications

### Listings

#### UL Listing:

Suitable for wet locations. Suitable for mounting within 1.2m (4ft) of the ground.

### Electrical

#### Photocell:

277V Photocell Included. Photocell is compatible with 208V-277V.

#### Socket:

Porcelain socket pulse rated 4kv, 1500 watts and 600 volts, reinforced with cat's eyes for added durability. Silicone and fiberglass #14 gauge socket leads rated for 200°C. Plated screw shell designed to resist corrosion with spring loaded center contact.

### Construction

#### Lens Gasket:

EPDM gasket seals optical chamber preventing dirt and rust.

#### Housing:

One-piece precision die cast aluminum with die cast door frame.

#### Reflector:

Hydroformed reflector.

#### Finish:

Our environmentally friendly polyester powder coatings are formulated for high-durability and long-lasting color, and contains no VOC or toxic heavy metals.

#### Lens:

Thermal, tempered shock resistant glass, 5/32" thick.

#### Mounting Arm:

Mounts with two 3/8 threaded rods at 2" on center.

#### EPA:

1.8.

### Other

#### Patents:

The design of the ALX Area Light is protected by U.S. patent D591,445, Canada Patent D127,045, Mexico Patent 28577 and patents pending in the U.S., China and Taiwan.

#### Country of Origin:

Designed by RAB in New Jersey and assembled in the USA by RAB's IBEW Local 3 workers.

#### Buy American Act Compliant:

This product is a COTS item manufactured in the United States, and is compliant with the Buy American Act.

#### Recovery Act (ARRA) Compliant:

This product complies with the 52.225-21 "Required Use of American Iron, Steel, and Manufactured Goods-- Buy American Act-- Construction Materials (October 2010).

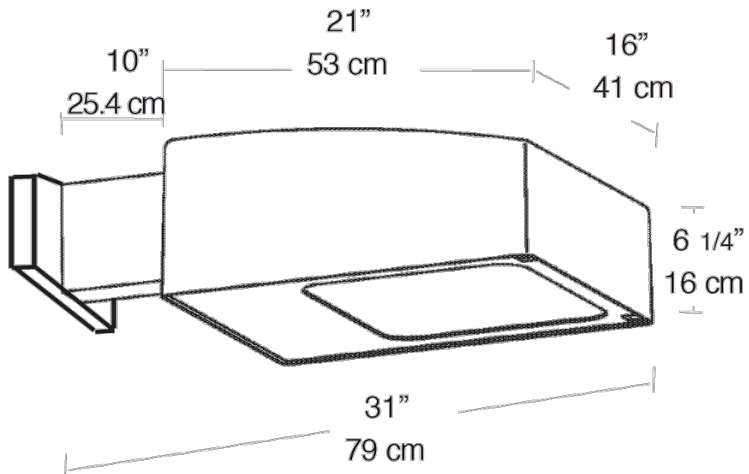
#### Trade Agreements Act Compliant:

This product is a COTS item manufactured in the United States, and is compliant with the Trade Agreements Act.

#### GSA Schedule:

Suitable in accordance with FAR Subpart 25.4.

## Dimensions



## Features

- Field rotatable optics
- Custom Hydroformed reflector
- Sleek smaller volume design lowers EPA
- Sealed optical chamber
- Stainless steel external hardware
- Silicone lamp retainer keeps lamp in socket
- Lamp supplied