



ALED Area Lights mount to 4" square steel poles at 15-20'. Available in regular, cutoff and full cutoff versions. 1 to 4 fixtures can be mounted to each pole. IES Full Cutoff, Fully Shielded optics. 5 year Warranty.

Color: Bronze

Weight: 16.4 lbs

<b>Project:</b>	<b>Type:</b>
<b>Prepared By:</b>	<b>Date:</b>

Driver Info		LED Info	
Type:	Constant Current	Watts:	80W
120V:	0.71A	Color Temp:	3000K
208V:	0.41A	Color Accuracy:	82 CRI
240V:	0.36A	L70 Lifespan:	100000
277V:	0.31A	Lumens:	6,285
Input Watts:	79W	Efficacy:	79 LPW
Efficiency:	N/A		

## Technical Specifications

### Electrical

#### Dimming Driver:

Driver includes dimming control for 0-10V dimming systems. Requires separate 0-10V DC dimming circuit. Dims as low as 10%.

#### Drivers:

Constant Current, Class 2, 2000mA, 100-277V, 50-60Hz, 1.1A, Power Factor 99%

#### THD:

4.8% at 120V, 13.6% at 277V

#### Surge Protection:

6kV

### Listings

#### UL Listing:

Suitable for wet locations. Suitable for mounting within 1.2m (4ft) of the ground.

#### IESNA LM-79 & IESNA LM-80 Testing:

RAB LED luminaires have been tested by an independent laboratory in accordance with IESNA LM-79 and 80, and have received the Department of Energy "Lighting Facts" label.

#### DLC Listed:

This product is on the Design Lights Consortium (DLC) Qualified Products List and is eligible for rebates from DLC Member Utilities.  
DLC Product Code: P9HCCW62

### Optical

#### Lumen Maintenance:

100,000-hour LED lifespan based on IES LM-80 results and TM-21 calculations.

#### Replacement:

The ALEDFC80 replaces 250W HID Area Lights.

#### BUG Rating:

B1 U0 G1

### Construction

#### IES Classification:

The Type III distribution is ideal for roadway, general parking and other area lighting applications where a larger pool of lighting is required. It is intended to be located near the side of the area, allowing the light to project outward and fill the area.

#### Ambient Temperature:

Suitable for use in 40°C ambient temperatures.

#### Cold Weather Starting:

The minimum starting temperature is -40°C/-40°F

#### Thermal Management:

Cast aluminum Thermal Management system for optimal heat sinking. The ALED is designed for cool operation, most efficient output and maximum LED life by minimizing LED junction temperature.

#### Housing:

Precision die cast aluminum housing, lens frame.

#### Arm:

Die-cast aluminum with wiring access plate.

#### Effective Projected Area:

EPA = 1.5

#### Reflector:

Specular vacuum-metallized polycarbonate

#### Gaskets:

High temperature silicone.

#### Finish:

Our environmentally friendly polyester powder coatings are formulated for high-durability and long-lasting color, and contains no VOC or toxic heavy metals.

#### Green Technology:

Mercury and UV free. RoHS compliant components. Polyester powder coat finish formulated without the use of VOC or toxic heavy metals.

### LED Characteristics

#### LEDs:

Constant Current, Class 2, 2000mA, 100-277V, 50-60Hz, 1.1A, Power Factor 99%

#### Color Consistency:

3-step MacAdam Ellipse binning to achieve consistent fixture-to-fixture color.

#### Color Stability:

LED color temperature is warranted to shift no more than 200K in CCT over a 5 year period.

#### Color Uniformity:

RAB's range of CCT (Correlated Color Temperature) follows the guidelines of the American National Standard for Specifications for the Chromaticity of Solid State Lighting (SSL) Products, ANSI C78.377-2011.

### Other

#### California Title 24:

See ALEDFC80/PCS for a 2013 California Title 24 compliant model.

## Technical Specifications (continued)

### Other

#### Warranty:

RAB warrants that our LED products will be free from defects in materials and workmanship for a period of five (5) years from the date of delivery to the end user, including coverage of light output, color stability, driver performance and fixture finish.

#### Patents:

The WPLED design is protected by patents pending in the U.S., Canada, China, Taiwan and Mexico.

#### Country of Origin:

Designed by RAB in New Jersey and assembled in the USA by RAB's IBEW Local 3 workers.

#### Buy American Act Compliant:

This product is a COTS item manufactured in the United States, and is compliant with the Buy American Act.

#### Recovery Act (ARRA) Compliant:

This product complies with the 52.225-21 "Required Use of American Iron, Steel, and Manufactured Goods-- Buy American Act-- Construction Materials (October 2010).

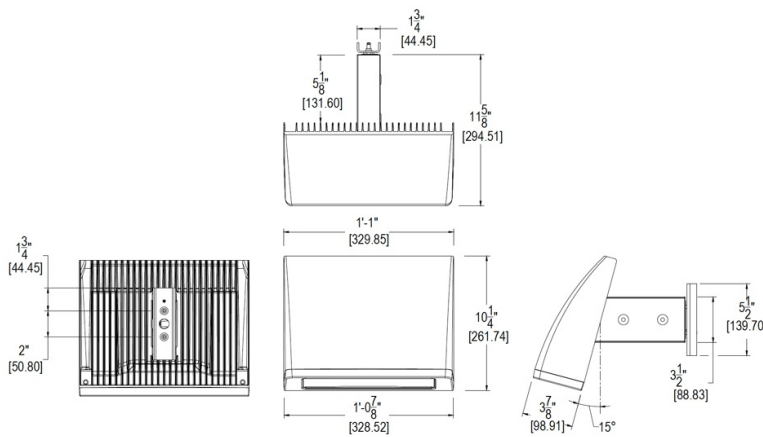
#### Trade Agreements Act Compliant:

This product is a COTS item manufactured in the United States, and is compliant with the Trade Agreements Act.

#### GSA Schedule:

Suitable in accordance with FAR Subpart 25.4.

## Dimensions



## Features

- High output LED light engine
- Maintains 70% of initial lumens at 100,000 hours
- Weatherproof high temperature silicone gaskets
- Superior heat sinking with die cast aluminum housing and external fins

## Ordering Matrix

Family	Cutoff	Watts	Color Temp	Finish	Voltage	Photocell	Dimming	Bi-Level
ALED								
	<b>Blank</b> = Standard <b>C</b> = Cutoff <b>FC</b> = Full Cutoff	<b>80</b> = 80W	<b>Blank</b> = 5000K (Cool) <b>Y</b> = 3000K (Warm) <b>N</b> = 4000K (Neutral)	<b>Blank</b> = Bronze <b>W</b> = White	<b>Blank</b> = 120-277V <b>/480</b> = 480V	<b>Blank</b> = No Photocell <b>/PCS</b> = 120V Swivel <b>/PCS2</b> = 277V Swivel <b>/PCS4</b> = 480V Swivel	<b>Blank</b> = No Dimming <b>/D10</b> = Dimmable	<b>Blank</b> = No Bi-Level <b>/BL</b> = Bi-Level