



High output LED pole top area light with IES type V circular distribution. Wide and uniform 360 degree pattern ideal for large outdoor areas such as parking lots, corporate parks, and retail settings.

Color: Black

Weight: 21.8 lbs

|                     |              |
|---------------------|--------------|
| <b>Project:</b>     | <b>Type:</b> |
| <b>Prepared By:</b> | <b>Date:</b> |

| Driver Info  |                  | LED Info        |              |
|--------------|------------------|-----------------|--------------|
| Type:        | Constant Current | Watts:          | 52W          |
| 120V:        | N/A              | Color Temp:     | 3000K (Warm) |
| 208V:        | N/A              | Color Accuracy: | 73 CRI       |
| 240V:        | N/A              | L70 Lifespan:   | 100,000      |
| 277V:        | N/A              | Lumens:         | 5,182        |
| Input Watts: | 51W              | Efficacy:       | 101 LPW      |
| Efficiency:  | N/A              |                 |              |

## Technical Specifications

### Listings

#### UL Listing:

Suitable for wet locations

#### IESNA LM-79 & LM-80 Testing:

RAB LED luminaires and LED components have been tested by an independent laboratory in accordance with IESNA LM-79 and LM-80.

### Electrical

#### THD:

8.5% at 480V

#### Power Factor:

88.6% at 480V

### LED Characteristics

#### LEDs:

4x13W high-output, long-life LEDs

#### Lifespan:

100,000-hour LED lifespan based on IES LM-80 results and TM-21 calculations

#### Color Consistency:

3-step MacAdam Ellipse binning to achieve consistent fixture-to-fixture color

#### Color Stability:

LED color temperature is warranted to shift no more than 200K in CCT over a 5 year period

#### Color Uniformity:

RAB's range of CCT (Correlated Color Temperature) follows the guidelines of the American National Standard for Specifications for the Chromaticity of Solid State Lighting (SSL) Products, ANSI C78.377-2017.

### Construction

#### Cold Weather Starting:

Minimum starting temperature is -40°C (-40°F)

#### Maximum Ambient Temperature:

Suitable for use in 40°C (104°F)

#### Effective Projected Area:

EPA = 1.2

#### Thermal Management:

Superior thermal management with external air-flow fins

#### Housing:

Precision die-cast aluminum, Type V distribution

#### Support Arms:

Extruded aluminum

#### Lens:

Clear tempered glass lens

#### Reflector:

Specular vacuum-metallized polycarbonate, Type V distribution

#### Gaskets:

High-temperature silicone

#### Finish:

Formulated for high-durability and long lasting color

#### Green Technology:

Mercury and UV-free. RoHS compliant components.

### Other

#### Patents:

The designs of the ALED5T52 are protected by patents pending in US, Canada, China, Taiwan and Mexico

#### Warranty:

RAB warrants that our LED products will be free from defects in materials and workmanship for a period of five (5) years from the date of delivery to the end user, including coverage of light output, color stability, driver performance and fixture finish. RAB's warranty is subject to all terms and conditions found at

#### Buy American Act Compliance:

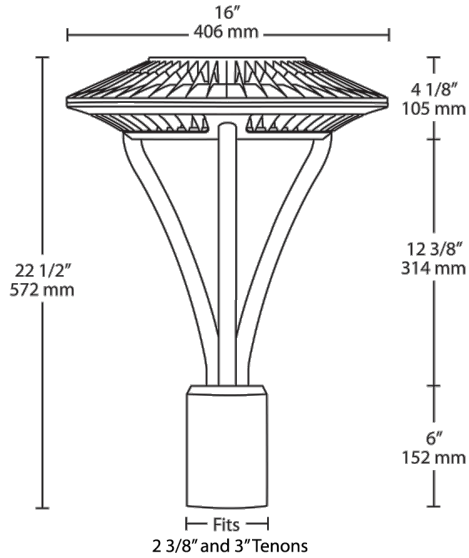
RAB values USA manufacturing! Upon request, RAB may be able to manufacture this product to be compliant with the Buy American Act (BAA). Please contact customer service to request a quote for the product to be made BAA compliant.

### Optical

#### BUG Rating:

B2 U1 G1

## Dimensions



## Features

- IES type V (circular) distribution
- 100,000-hour LED lifespan
- Compatible with standard 2 3/8" and 3" tenons
- Air-flow fins for maximum heat dissipation
- 5-Year, No-Compromise Warranty

## Ordering Matrix

| Family | Distribution | Wattage                          | Color Temp  | Finish  | Driver Option   | Options  | Other Options                           |
|--------|--------------|----------------------------------|---|---|---|--|---|
| ALED   | 5T           | 52                               | Y   | K   | /480  | ^  | ^                                       |
|        | 5T = Type V  | 26 = 26W<br>52 = 52W<br>78 = 78W | Blank = 5000K (Cool)<br>N = 4000K (Neutral)<br>Y = 3000K (Warm) | Blank = Bronze<br>W = White<br>K = Black<br>RG = Gray | Blank = 120-277V<br>/D10 = Dimmable<br>/BL = Bi-Level<br>/480 = 480V<br>/480/D10 = 480V w/ Dimmable | Blank = No Option<br>/PCT = 120-277V Twistlock Photocell<br>/PCT4 = 480V Twistlock Photocell | Blank = Standard<br>USA = BAA Compliant |