



Color: Black

Weight: 32.0 lbs

<b>Project:</b>	<b>Type:</b>
<b>Prepared By:</b>	<b>Date:</b>

Driver Info		LED Info	
Type:	Constant Current	Watts:	125W
120V:	1.12A	Color Temp:	3000K (Warm)
208V:	0.70A	Color Accuracy:	71 CRI
240V:	0.61A	L70 Lifespan:	100,000
277V:	0.52A	Lumens:	10,335
Input Watts:	136W	Efficacy:	76 LPW
Efficiency:	92%		

## Technical Specifications

### Listings

#### UL Listing:

Suitable for wet locations

#### IESNA LM-79 & LM-80 Testing:

RAB LED luminaires and LED components have been tested by an independent laboratory in accordance with IESNA LM-79 and LM-80.

### Electrical

#### THD:

5.3% at 120V, 15.3% at 277V

#### Driver:

One Driver, Constant Current, Class 2, 1800mA 100-277V, 50-60Hz, Power Factor 99%

#### Surge Protection:

4kV

#### Dimming Driver:

Driver includes dimming control wiring for 0-10V dimming systems. Requires separate 0-10V DC dimming circuit. Dims as low as 10%.

### LED Characteristics

#### Lifespan:

100,000-hour LED lifespan based on IES LM-80 results and TM-21 calculations

#### LEDs:

Multi-chip, high-output, long-life LEDs

#### Color Stability:

LED color temperature is warranted to shift no more than 200K in CCT over a 5 year period

#### Color Uniformity:

RAB's range of CCT (Correlated Color Temperature) follows the guidelines of the American National Standard for Specifications for the Chromaticity of Solid State Lighting (SSL) Products, ANSI C78.377-2017.

### Construction

#### IES Classification:

The Type II distribution is ideal for wide walkways, on ramps and entrance roadways, bike paths and other long and narrow lighting applications. This type is meant for lighting larger areas and usually is located near the roadside. This type of lighting is commonly found on smaller side streets or jogging paths.

#### Effective Projected Area:

EPA = 0.75

#### Maximum Ambient Temperature:

Suitable for use in 40°C (104°F)

#### Cold Weather Starting:

Minimum starting temperature is -40°C (-40°F)

#### Thermal Management:

Superior thermal management with external "Air-Flow" fins

#### Lens:

Tempered glass lens

#### Housing:

Die-cast aluminum housing, lens frame and mounting arm

#### Mounting:

Universal mounting arm compatible for hole spacing patterns from 1" to 5 1/2" center to center. Round Pole Adaptor plate included as a standard. Easy slide and lock to mount fixture with ease. Round pole diameter must be >4" to mount fixtures at 90° orientation.

#### Reflector:

Specular vacuum-metallized polycarbonate

#### Gaskets:

High-temperature silicone gaskets

#### IP Rating:

Ingress Protection rating of IP66 for dust and water

#### Finish:

Formulated for high-durability and long lasting color

#### Green Technology:

Mercury and UV-free. RoHS compliant components.

### Other

#### Compatibility:

Compatible with Round Poles with a diameter of 2.5" to 6"

#### Warranty:

RAB warrants that our LED products will be free from defects in materials and workmanship for a period of five (5) years from the date of delivery to the end user, including coverage of light output, color stability, driver performance and fixture finish. RAB's warranty is subject to all terms and conditions found at

#### Equivalency:

Replaces 350W Metal Halide

## Technical Specifications (continued)

### Other

#### Buy American Act Compliance:

RAB values USA manufacturing! Upon request, RAB may be able to manufacture this product to be compliant with the Buy American Act (BAA). Please contact customer service to request a quote for the product to be made BAA compliant.

### Optical

#### BUG Rating:

B2 U0 G2

#### Sensor Specifications

#### Operating Voltage:

120-277V

#### Power Consumption:

1W

#### 0-10V Sinking Current:

50mA

#### Adjustable High and Low Modes:

High: 0-10V; Low: off, 0-9.8V

#### Adjustable Time Delay:

Amount of time in high mode with no motion before switching to low mode: 5 min., 1 -30 min.

#### Adjustable Cut Off Delay:

Time in which the fixture will remain on low mode with no motion before turning off and waiting for new motion to turn on: None, 1 -60 min., 1 -5 hrs.

#### Adjustable Sensitivity:

None, low, medium, maximum

#### Adjustable Setpoint:

None, 1 to 250 fc, auto

#### Operating Temperature:

-40°F to 167°F (-40°C to +75°C)

#### Operating Humidity:

20% to 90% noncondensing

#### Relay Life Rating:

200,000 cycles (120/277VAC), 50,000 cycles (230VAC)

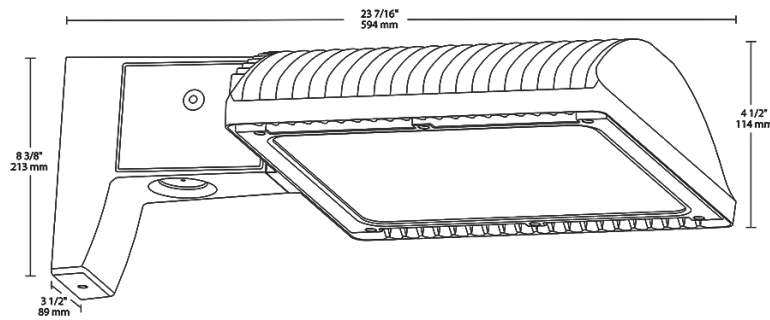
#### Handheld Wireless Configuration Tool:

Adjust settings using handheld wireless configuration tool. Only available with 0-10V dimming driver options.

#### Multi Level Motion Sensor:

\*60 ft. diameter coverage from 40 ft. height.

## Dimensions



## Features

- 66% energy cost savings vs. HID
- 100,000-hour LED lifespan
- 5-year warranty

## Ordering Matrix

Family	Optics	Wattage	Mounting	Color Temp	Finish	Driver Options	Options	Other Options
<b>ALED</b>	<b>2T</b>	<b>125</b>	<b>^</b>	<b>Y</b>	<b>K</b>	<b>/D10</b>	<b>/WS4</b>	<b>^</b>
4T = Type IV	50 = 50W 78 = 78W	Blank = Pole mount	Blank = 5000K (Cool)	Blank = Bronze	Blank = 120-277V	Blank = No Option	Blank = Standard	
3T = Type III	105 = 105W	SF = Slipfitter	N = 4000K (Neutral)	RG = Roadway Gray	/480 = 480V	/LC = Lightcloud® Controller	USA = BAA Compliant	
2T = Type II	125 = 125W 150 = 150W		Y = 3000K (Warm)	W = White	/BL = Bi-Level	/PCS = 120V Swivel Photocell		
				K = Black	/D10 = 0-10V Dimming	/PCS2 = 277V Swivel Photocell		
						/PCT = 120-277V Twistlock Photocell		
						/PCS4 = 480V Swivel Photocell		
						/PCT4 = 480V Twistlock Photocell		
						/WS2 = Multi-Level Motion Sensor 20 ft.		
						/WS4 = Multi-Level Motion Sensor 40 ft.		