



78W and 150W specification-grade area lights with IES Type III distribution, offered in combination with poles. For use in roadway, general parking and other area lighting applications where a larger pool of lighting is required.

Color: Bronze

Project:	Type:
Prepared By:	Date:

Driver Info		LED Info	
Type:	Constant Current	Watts:	78W
120V:	0.66A	Color Temp:	5000K
208V:	0.41A	Color Accuracy:	71 CRI
240V:	0.35A	L70 Lifespan:	100000
277V:	0.30A	Lumens:	9263
Input Watts:	77W	Efficacy:	121 LPW
Efficiency:	N/A		

Technical Specifications

Fixture

Quantity:

2 qty of ALED3T78

Fixture: Listings

UL Listing:

Suitable for wet locations as a downlight

DLC Listed:

This product is on the Design Lights Consortium (DLC) Qualified Products List and is eligible for rebates from DLC Member Utilities.

DLC Product Code: P0000179S

Dark Sky Approved:

The International Dark Sky Association has approved this product as a full cutoff, fully shielded luminaire

Fixture: LED Characteristics

Lifespan:

100,000-hour LED lifespan based on IES LM-80 results and TM-21 calculations

LEDs:

Six (6) multi-chip, 13W, high-output, long-life LEDs

Color Consistency:

3-step MacAdam Ellipse binning to achieve consistent fixture-to-fixture color

Color Stability:

LED color temperature is warranted to shift no more than 200K in CCT over a 5 year period

Color Uniformity:

RAB's range of CCT (Correlated Color Temperature) follows the guidelines of the American National Standard for Specifications for the Chromaticity of Solid State Lighting (SSL) Products, ANSI C78.377-2017.

Fixture: Electrical

Driver:

Constant Current, Class 2, 2000mA, 100-277V, 50-60Hz, 1.1A, Power Factor 99% (per fixture)

THD:

5.3% at 120V, 13.3% at 277V (per fixture)

Fixture: Construction

IES Classification:

The Type III distribution is ideal for roadway, general parking and other area lighting applications where a larger pool of lighting is required. It is intended to be located near the side of the area, allowing the light to project outward and fill the area.

IP Rating:

Ingress Protection rating of IP66 for dust and water

Ambient Temperature:

Suitable for use in 40°C (104°F) ambient temperatures

Cold Weather Starting:

Minimum starting temperature is -40°C (-40°F)

Thermal Management:

Superior heat sinking with external Air-Flow fins

Effective Projected Area:

EPA = 0.75

Lens:

Tempered glass lens

Housing:

Die cast aluminum housing, lens frame and mounting arm

Mounting:

Universal mounting arm compatible for hole spacing patterns from 1" to 5 1/2" center to center. Round Pole Adaptor plate included as a standard. Easy slide and lock to mount fixture with ease.

Reflector:

Specular vacuum-metallized polycarbonate

Gaskets:

High temperature silicone gaskets

Finish:

Formulated for high-durability and long lasting color

Green Technology:

Mercury and UV-free. RoHS compliant components. Polyester powder coat finish formulated without the use of VOCs or toxic heavy metals.

For use on LEED Buildings:

IDA Dark Sky Approval means that this fixture can be used to achieve LEED Credits for Light Pollution Reduction

Fixture: Optical

BUG Rating:

B1 U0 G2

Technical Specifications (continued)

Fixture: Other

Warranty:

RAB warrants that our LED products will be free from defects in materials and workmanship for a period of five (5) years from the date of delivery to the end user, including coverage of light output, color stability, driver performance and fixture finish.

Patents:

The ALED design is protected by patents in the U.S. Pat. 668,370, Canada Pat. 144956, China ZL201230100154.X, and Mexico Pat. 38423. Pending patents in Taiwan.

Replacement:

Replaces 250W Metal Halide (per fixture)

Poles: Listings

CSA Listed:

Suitable for wet locations

Poles: Construction

Shaft:

46,000 p.s.i. minimum yield.

Hand Holes:

Reinforced with grounding lug and removable cover

Base Plates:

Slotted base plates 36,000 p.s.i.

Color:

Bronze powder coating

Height:

15 FT

Weight:

106 lbs

Gauge:

11

Wall Thickness:

1/8"

Shaft Size:

4"

Hand Hole Dimensions:

3" x 5"

Bolt Circle:

8 1/2"

Base Dimension:

8"

Max Wind (MPH):

150 MPH

Max Wind (MPH):

130 MPH

Poles: Other

Shipping Protection:

All poles are shipped in individual corrugated cartons to prevent finish damage

Terms of Sale:

Pole Terms of Sale is available .

Anchor Bolt: Construction

Anchor Bolt:

Galvanized anchor bolts and galvanized hardware and anchor bolt template. All bolts have a 3" hook.

Anchor Bolt Templates:

WARNING Template must be printed on 11" x 17" sheet for actual size. CHECK SCALE BEFORE USING. Templates shipped with anchor bolts and available .

Finish:

Formulated for high-durability and long lasting color

Other

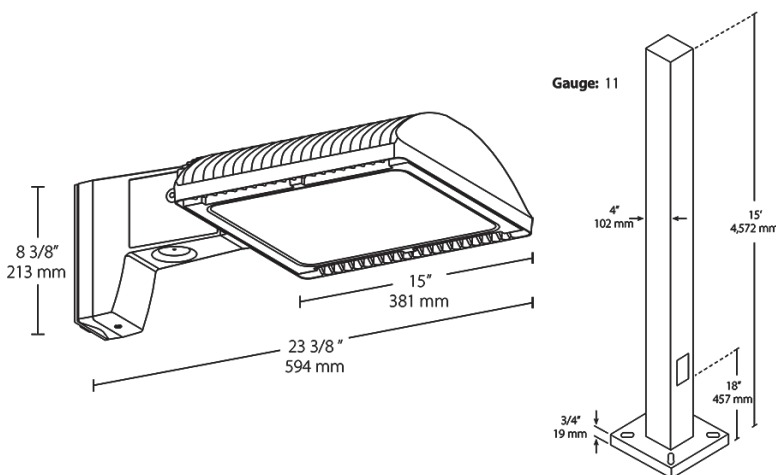
Shipping:

All components ship separately

Buy American Act Compliance:

RAB values USA manufacturing! Upon request, RAB may be able to manufacture this product to be compliant with the Buy American Act (BAA). Please contact customer service to request a quote for the product to be made BAA compliant.

Dimensions



Features

EZ-SITE™ Area Light & Pole Combos

Buy area lights and poles together and save!

Square Drilled Poles - 15 ft, 20 ft or 25 ft

Anchor Bolt Kit Included